

Armchairs

STEFAN LOUNGE CHAIR

Story behind:

The design of the Stefan Lounge Chair Type 300-139 was created in 1962. The frame of the lounge chair is made of solid oak wood, while the backrest is decorated with wooden tiers. The upholstery in this case is formed by 2 loose rectangular cushions. The Stefan Lounge Chair was a Polish export commodity and thus represented the upper class among furniture manufactured at the time. The furniture has a modernist form and a simple design, enriched by gently contoured armrests, reminiscent of classics of Danish design.

Original design: 1962

Reedition: 2022 by 366 Concept

Legs: solid oak wood with brass finishing

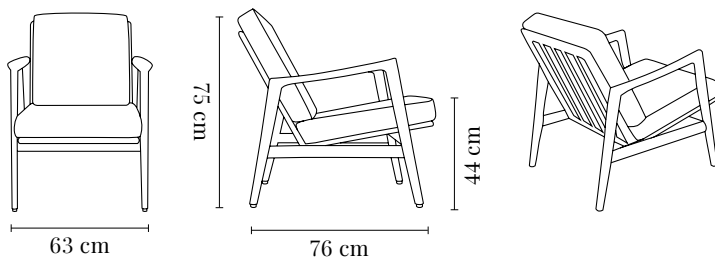
Backrest: solid oak wood

Seat: high resilience foam

Contract: norm passed EN 16139

COM: 1 pc = 1,4 x 1,4 m / 2+ pcs = 1,0 x 1,4 m

COL: 1 pc = 1,7 m²



Width: 63 cm

Height: 75 cm

Depth: 76 cm

Seat height: 44 cm

Packaging dimensions: 82 x 66 x 80 cm

Delivery: fully assembled furniture

Net weight: 10 kg

100% designed and manufactured in Poland



Boucle Coll. - Snow / Oak 03



Boucle Coll. - Snow / Oak 03



Sofas

STEFAN 2-SEATER

Story behind:

The Stefan 2-Seater has been created based on the Icon of Polish Design – The Stefan Lounge Chair – designed in 1962. The frame of the 2-Seater is made of solid oak wood, while the backrest is decorated with wooden tiers. The upholstery in this case is formed by 4 loose rectangular cushions. The Stefan Lounge Chair was a Polish export commodity and thus represented the upper class among furniture manufactured at the time. The furniture has a modernist form and a simple design, enriched by gently contoured armrests, reminiscent of classics of Danish design.

Original design: 1962

Reedition: 2022 by Agata Górka,

based on the Stefan Lounge Chair 300-139

Legs: solid oak wood with brass finishing

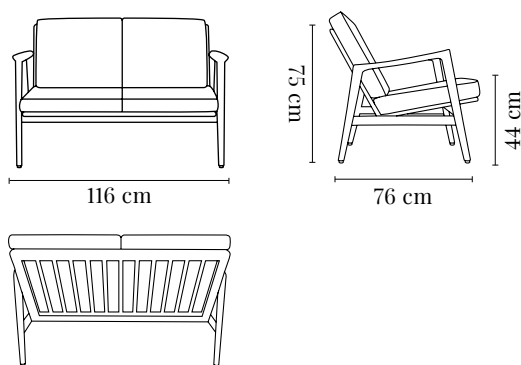
Backrest: solid oak wood

Seat: high resilience foam

Contract: norm passed EN 16139

COM: 1 pc = 2,8 x 1,4 m / 2+ pcs = 2,7 x 1,4 m

COL: 1 pc = 3,4 m²



Width: 116 cm

Height: 75 cm

Depth: 76 cm

Seat height: 44 cm

Packaging dimensions: placed on a pallet

Delivery: fully assembled furniture

Net weight: 25 kg

100% designed and manufactured in Poland



Boucle Coll. - Snow / Oak 03



Boucle Coll. - Snow / Oak 03



Sofas

STEFAN SOFA

Story behind:

The Stefan Sofa has been created based on the Icon of Polish Design – The Stefan Lounge Chair – designed in 1962. The frame of the Sofa is made of solid oak wood, while the backrest is decorated with wooden tiers. The upholstery in this case is formed by rectangular cushions. The Stefan Lounge Chair was a Polish export commodity and thus represented the upper class among furniture manufactured at the time. The sofa has a modernist form and a simple design, enriched by gently contoured armrests, reminiscent of classics of Danish design.

Original design: 1962

Reedition: 2022 by Agata Górka,

based on the Stefan Lounge Chair 300-139

Legs: solid oak wood with brass finishing

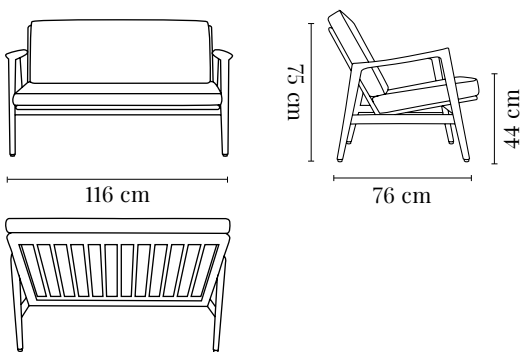
Backrest: solid oak wood

Seat: high resilience foam

Contract: norm passed EN 16139

COM: 1 pc = 2,8 x 1,4 m / 2+ pcs = 2 x 1,4 m

COL: 1 pc = 4 m²



Width: 116 cm

Height: 75 cm

Depth: 76 cm

Seat height: 44 cm

Packaging dimensions: placed on a pallet

Delivery: fully assembled furniture

Net weight: 25 kg

100% designed and manufactured in Poland



Boucle Coll. - Snow / Oak 03



Boucle Coll. - Snow / Oak 03

